

HKE18

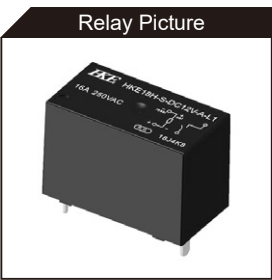
Magnetic Latching Relay

Features

- Magnetic Latching Relay
- Outline Dimension: 24.2×13.0×16.4mm
- 20A of switching capability
- Contact: 1 Form A
- Only pulse excitation, single and double coil work available
- Dielectric strength of 4000V between coil and contacts
- Friendly product(RoHS Compliant)

Safety Approval

 US NO.E164730



ORDERING INFORMATION

HKE18 [H] - [S] - [DC12V] - [A] - [L1]

Model	Coil Sensitivity	Enclosure	Coil Voltage	Contact Form	Coil Type
	H - High Sensitivity Blank-Standard	S - Plastic Sealed Type	DC3V,DC5V,DC6V,DC9V, DC12V,DC24V,DC48V	A-1 Form A	L1 - Single coil L2 - Double coil

SPECIFICATION

CONTACT DATA

Contact Form	1 Form A	
Contact Material	Ag Alloy	
Contact Rating	16A 250VAC/30VDC, 5×10 ⁴ (Res) 20A 250VAC, 2×10 ⁴ (Res) 1.5HP 250VAC, 4×10 ⁴ (HP) TV-8 250VAC, 2.5×10 ⁴	
Contact Resistance	Max.50mΩ(6VDC 1A)	
Load	Max. Switching Voltage	277VAC/30VDC
	Max. Switching Current	20A
	Max.Short Circuit Current	500A/2ms
	Min. Switching Load	100mA 5VDC
Life	Electrical	Refer to "contact load"
	Mechanical	1×10 ⁶ (300ops/min)

GENERAL DATA

Insulation Resistance	Min.100MΩ 500VDC	
Dielectric Strength	Between open contacts	1,000VAC,50/60Hz,1min
	Between coil and contacts	4,000VAC,50/60Hz,1min
Operate Time	Max.15ms	
Reset Time	Max.15ms	
Operating Temperature	-40°C to +85°C	
Humidity	5~85%RH, +40°C	
Shock	Endurance	1,000m/s ²
	Resistance Misoperation	100m/s ²
Vibration	Endurance	10~55Hz, 1.5mmdouble amplitude
	Resistance Misoperation	10~55Hz, 1.5mmdouble amplitude
Weight	Approximately 11g	

Note:Data shown are of initial value

COIL DATA

Coil Power for standard type	L1: 0.8W,L2: 1.2W
Coil Power for high sensitivity	L1: 0.6W,L2: 0.8W

SAFETY APPROVAL

File Number	Contact Form	Power Consumption	Coil Voltage	Contact Rating	Remarks
UL E164730	A	L1: 0.8W,L2: 1.2W L1: 0.6W,L2: 0.8W	3,5,6,9,12,24,48VDC	16A 250VAC(GP)	Ambient Temperature: 85°C
	A		3,5,6,9,12,24,48VDC	20A 250VAC(GP)	Ambient Temperature: 85°C
	A		3,5,6,9,12,24,48VDC	TV-8 125VAC/250VAC	Ambient Temperature:105°C
	A		3,5,6,9,12,24,48VDC	1.5HP 250VAC	Ambient Temperature: 85°C

Specifications subject to change without notice

ISO9001、IATF16949、ISO14001 Approved

COIL DATA

Ambient Temperature: 23°C

Standard

Model	Nominal Voltage VDC	Coil Resistance $\Omega \pm 10\%$	Operate Voltage $\leq VDC$	Reset Voltage $\leq VDC$	Coil Power W	Pulse width $\geq ms$
HKE18-S-DC3V-A-L1	3	11.3	2.25	2.25	0.8	50
HKE18-S-DC5V-A-L1	5	31.3	3.75	3.75		
HKE18-S-DC6V-A-L1	6	45	4.5	4.5		
HKE18-S-DC9V-A-L1	9	101.3	6.75	6.75		
HKE18-S-DC12V-A-L1	12	180	9.0	9.0		
HKE18-S-DC24V-A-L1	24	720	18.0	18.0		
HKE18-S-DC48V-A-L1	48	2880	36.0	36.0		
HKE18-S-DC3V-A-L2	3	7.5+7.5	2.25	2.25	1.2	50
HKE18-S-DC5V-A-L2	5	20.8+20.8	3.75	3.75		
HKE18-S-DC6V-A-L2	6	30+30	4.5	4.5		
HKE18-S-DC9V-A-L2	9	67.5+67.5	6.75	6.75		
HKE18-S-DC12V-A-L2	12	120+120	9.0	9.0		
HKE18-S-DC24V-A-L2	24	480+480	18.0	18.0		
HKE18-S-DC48V-A-L2	48	1920+1920	36.0	36.0		

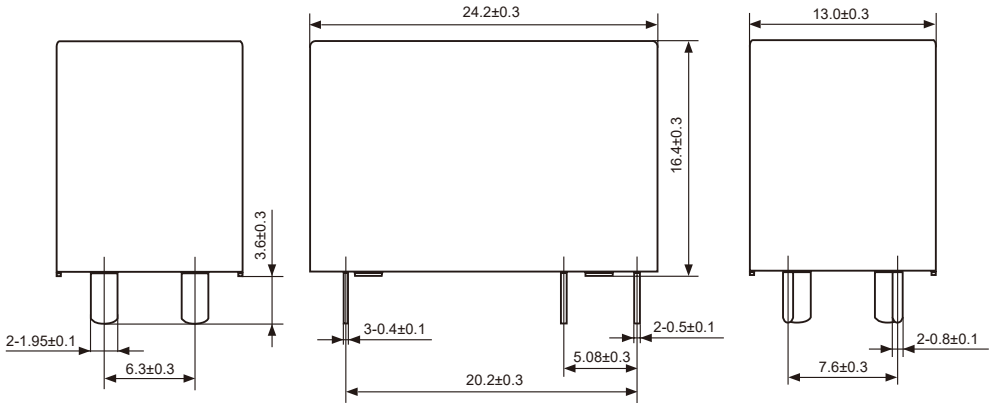
High Sensitivity

Model	Nominal Voltage VDC	Coil Resistance $\Omega \pm 10\%$	Operate Voltage $\leq VDC$	Reset Voltage $\leq VDC$	Coil Power W	Pulse width $\geq ms$
HKE18H-S-DC3V-A-L1	3	15	2.25	2.25	0.6	50
HKE18H-S-DC5V-A-L1	5	41.7	3.75	3.75		
HKE18H-S-DC6V-A-L1	6	60	4.5	4.5		
HKE18H-S-DC9V-A-L1	9	135	6.75	6.75		
HKE18H-S-DC12V-A-L1	12	240	9.0	9.0		
HKE18H-S-DC24V-A-L1	24	960	18.0	18.0		
HKE18H-S-DC48V-A-L1	48	3840	36.0	36.0		
HKE18H-S-DC3V-A-L2	3	11.3+11.3	2.25	2.25	0.8	50
HKE18H-S-DC5V-A-L2	5	31.3+31.3	3.75	3.75		
HKE18H-S-DC6V-A-L2	6	45+45	4.5	4.5		
HKE18H-S-DC9V-A-L2	9	101.3+101.3	6.75	6.75		
HKE18H-S-DC12V-A-L2	12	180+180	9.0	9.0		
HKE18H-S-DC24V-A-L2	24	720+720	18.0	18.0		
HKE18H-S-DC48V-A-L2	48	2880+2880	36.0	36.0		

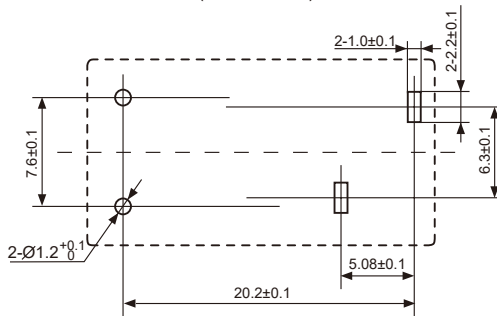
OUTLINE, WIRING DIAGRAM, MOUNTING HOLE LAYOUT (UNIT: mm)

L1 - Single coil

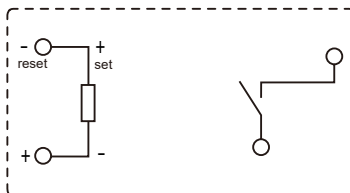
Outline



Mounting Hole for L1
(Bottom View)



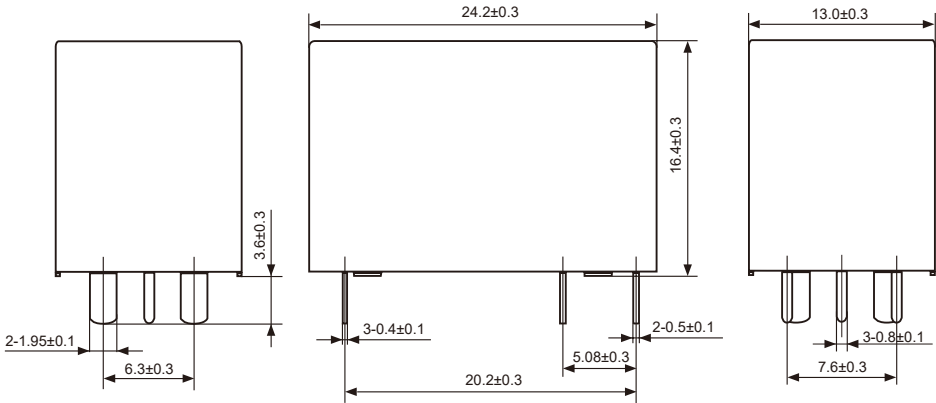
Wiring for L1
(Bottom View)



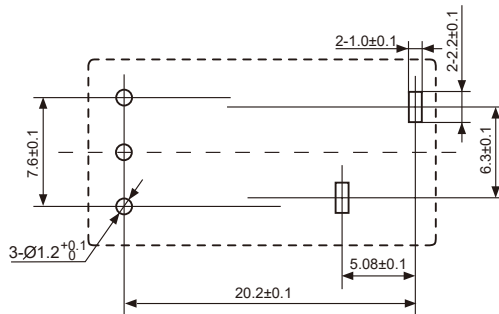
OUTLINE, WIRING DIAGRAM, MOUNTING HOLE LAYOUT (UNIT: mm)

L2 - Double coil

Outline



Mounting Hole for L2
(Bottom View)



Wiring for L2
(Bottom View)

